



SKU: DBUNT2

WOOD NESTING TABLES

USER GUIDE

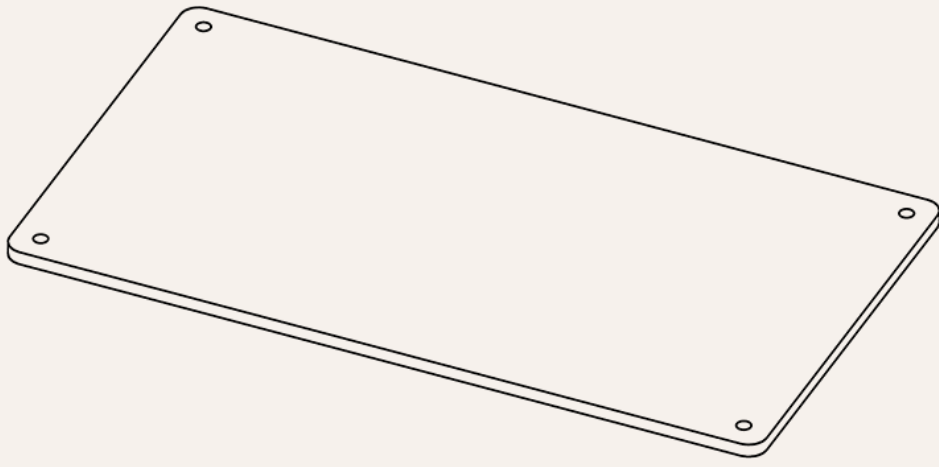
DANDELION

RESPONSIBLY CREATING BETTER PRODUCTS FOR A BETTER WORLD



Table of Contents

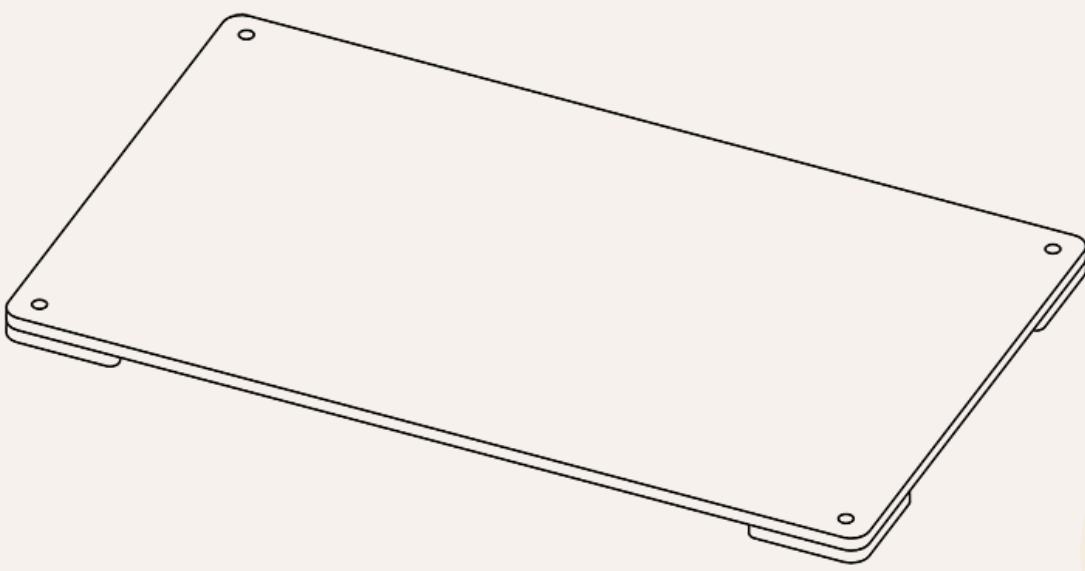
USER GUIDE



A. Small Tabletop x1



B. 24" Leg x4



C. Large Tabletop x1



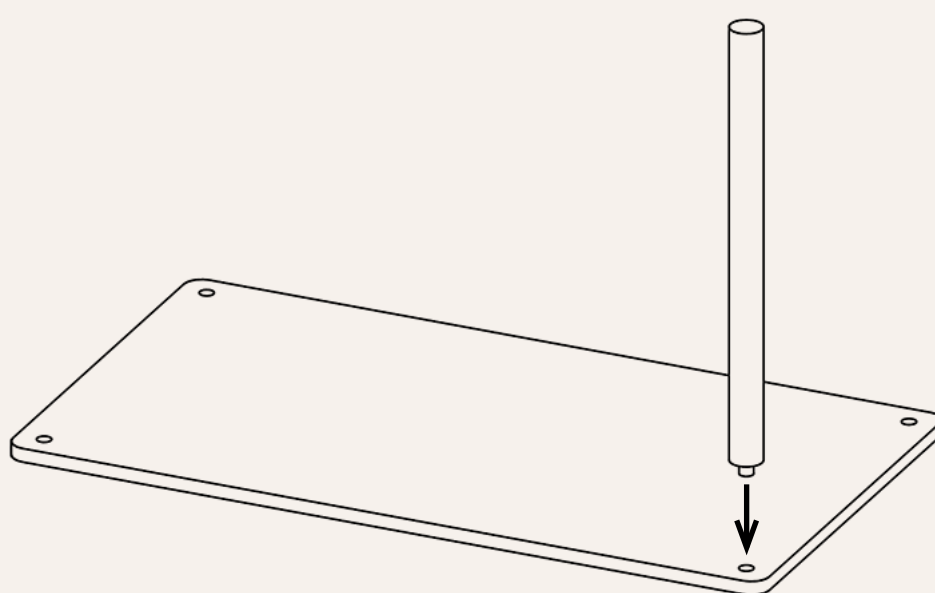
D. 32" leg x4

NOTE:

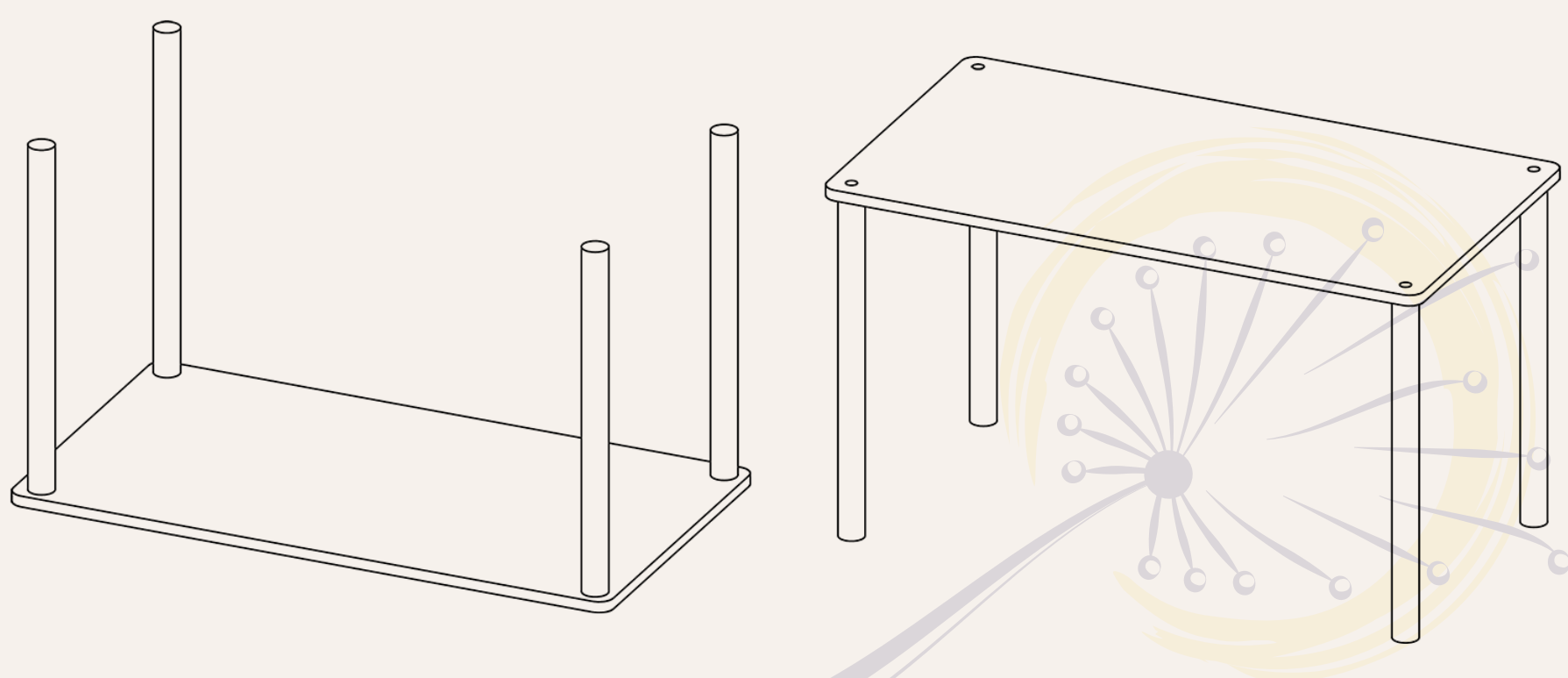
1. Two people are required.
2. A rubber mallet is needed to finish the assembly.
3. It's recommended to assemble the unit on a smooth floor covered with soft cloth or a cardboard to avoid damage to your tabletops.

WARNING: DO NOT SIT, CLIMB OR LEAN ON THE TABLETOP!

PARTS DIAGRAM

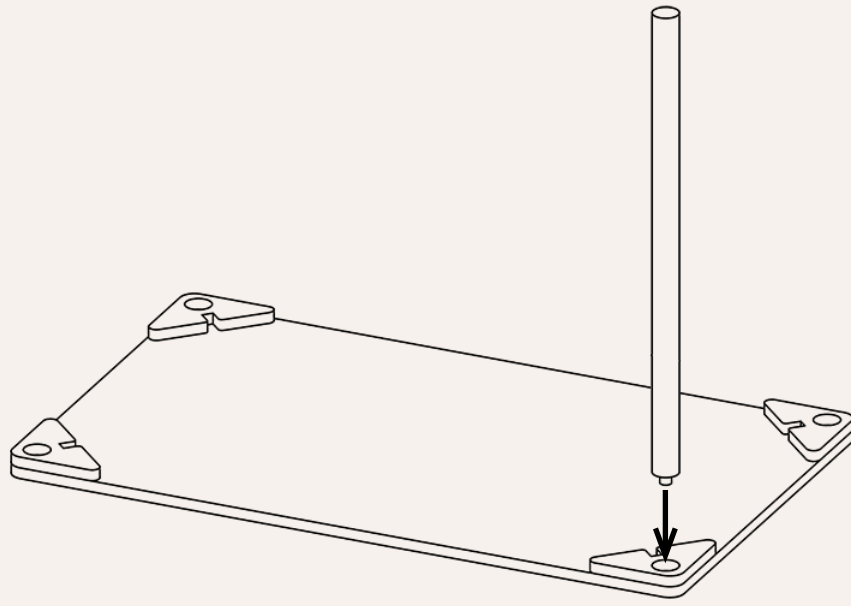


1. Insert one 24" Leg (B) into a pre-drilled hole at one corner of the Small Tabletop (A). Twist the tenon in first, then use a rubber mallet (not included) to tap the leg until it's fully inserted.

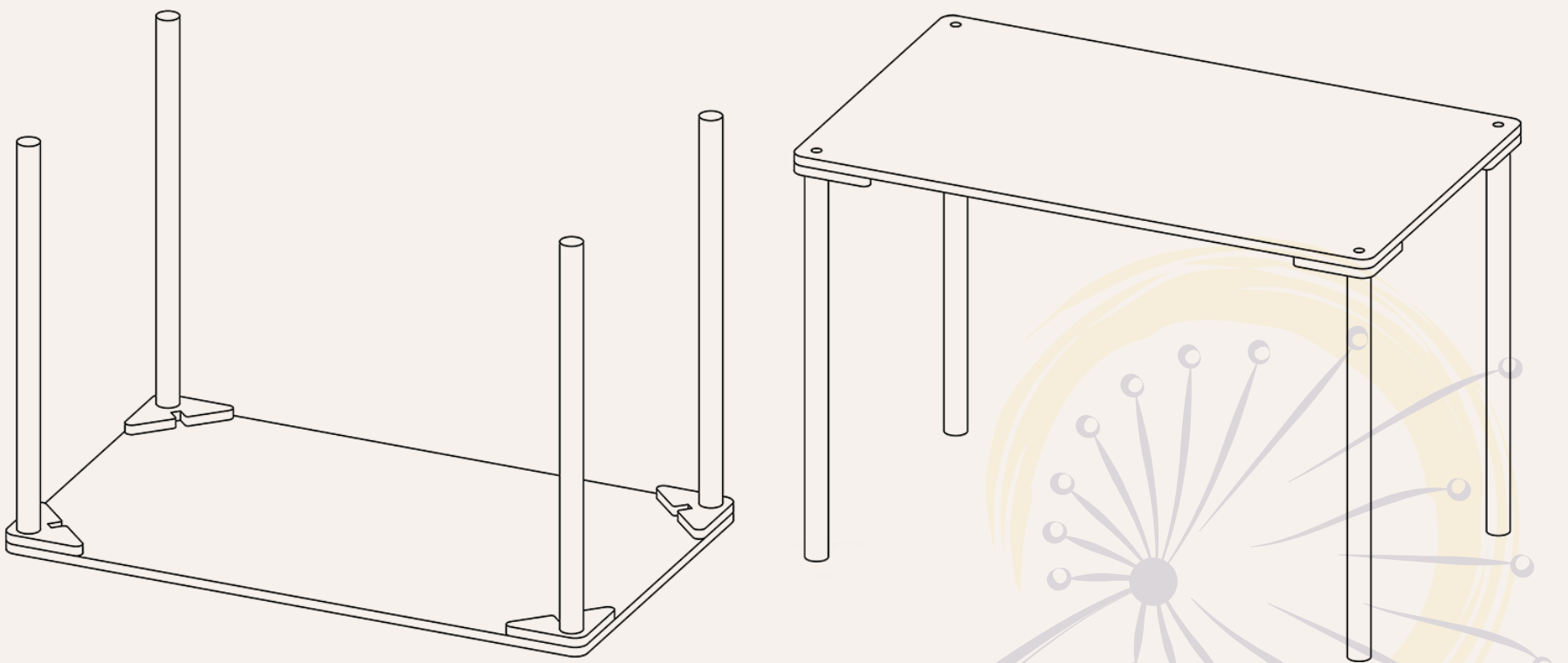


2. Repeat Step 1 to assemble the remaining 24" legs onto the small tabletop. Carefully turn the table over to its standing position.

ASSEMBLY INSTRUCTIONS

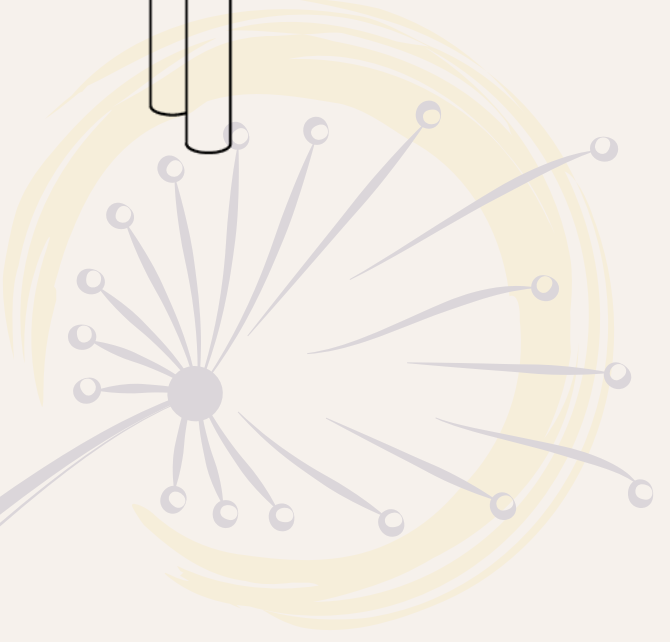
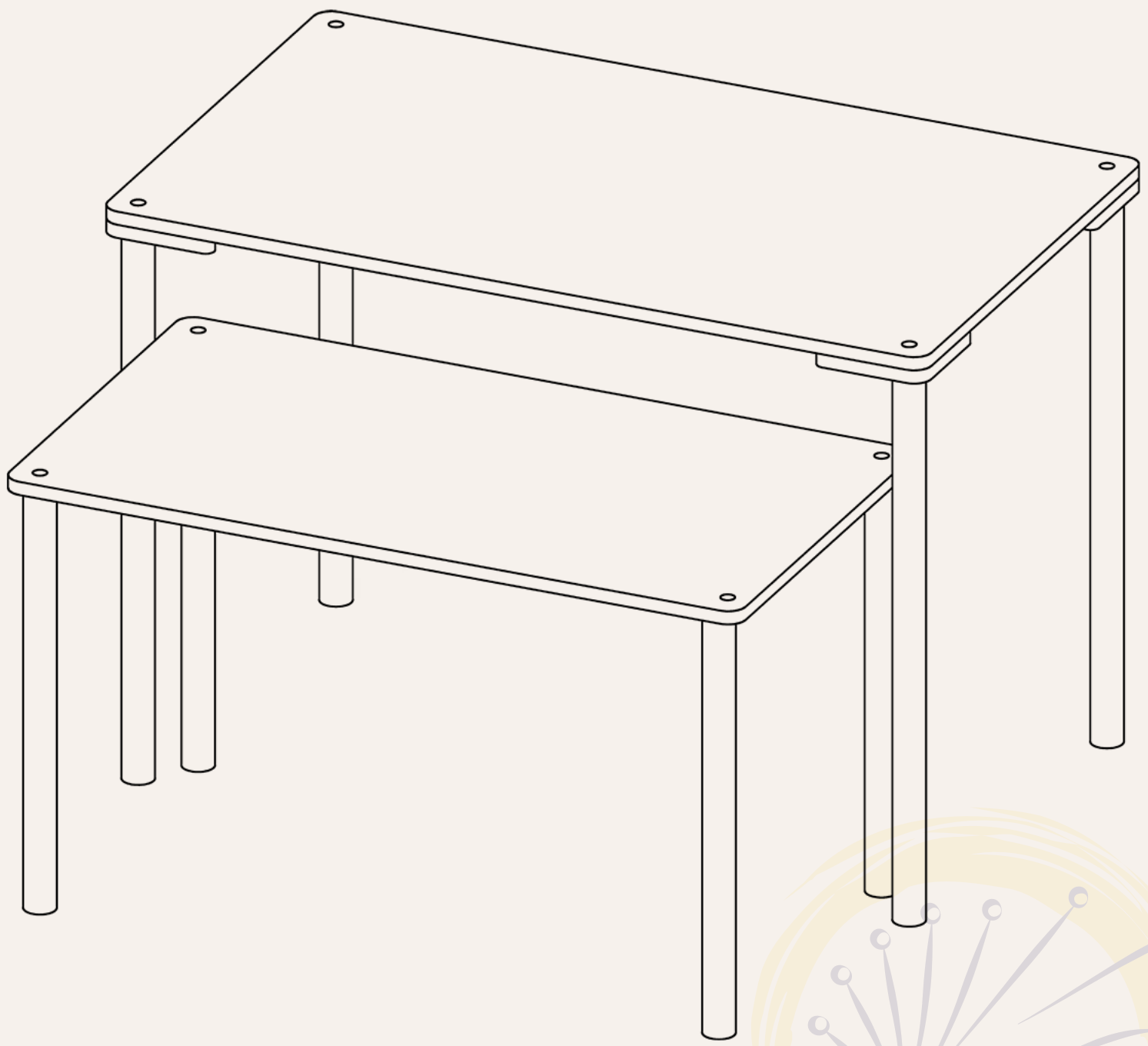


3. Place the Large Tabletop (C) on the protected floor and make sure the side with 4 corner pieces are facing up. Assemble one 32" Leg (D) at a corner the same way as the small table and use your rubber mallet as needed.



4. Assemble remaining 32" legs to the large tabletop and make sure all legs are fully inserted and secured. Carefully turn the large table over to its standing position.

ASSEMBLY INSTRUCTIONS



5. Then assembly is finished. Enjoy your nesting tables.

ASSEMBLY INSTRUCTIONS

THANK YOU FOR SPREADING
THE SEEDS OF SUSTAINABILITY
AND HELPING TO PROTECT
OUR PLANET.



HAVE A QUESTION? GET IN TOUCH WITH
OUR DANDELION REPRESENTATIVES AT:
888-257-6639

CONTACT US

7